

VLL LED Zone 1 GRP linear fixtures

Standard materials

- Enclosure-Glass Fiber Reinforced Plastic (GRP)
- Diffuser-Polycarbonate (PC)
- Gaskets-Silicone
- Fasteners-All external fasteners stainless steel

LED system:

- Cold white 5700K
- Optional: 3000K, 4000K, 5000K, 6500K
- All series feature field replaced LED modules
- Fog diffuser with harmful glare protection as standard
- Rated life of 5 years at 55°C provides long term, low-maintenance operation.

Certifications and compliances

- Marking accd.to IECEx
Ex eb mb IIC T5 Gb or Ex db eb mb IIC T5 Gb
/ Ex db eb ib mb IIC T5Gb (EM)*
Ex tb IIIC T80°C Db
- Marking accd.to ATEX
II2 G Ex eb mb IIC T5 Gb
II2 G Ex db eb mb IIC T5 Gb
II2 G Ex db eb ib mb IIC T5 Gb(EM)
II2 D Ex tb IIIC T80°C Db



Technical data

IECEX-certification of conformity	IECEX NEP 21.0020X, SEV 22 ATEX 0584X, IECEX SEV 22.0001X
Ex Marking	Ex db eb mb IIC T5 Gb or Ex eb mb IIC T5 Gb / Ex db eb ib mb IIC T5Gb (EM)* Ex tb IIIC T80°C Db
Ambient temp	Normal: -40°C to 55°C for 3L, 5L, -40°C to 50°C for 7L Emergency: -25°C to 50°C for 3L,5L, -25°C to 45°C for 7L
Rated input volt	100-240VAC 50/60Hz, DC 105-250V
Power factor	>0.9
Color Temperature	5700K as standard, 3000K/4000K/5000K/6500K is available
CRI	Cool white>70 as standard, CRI>80 is optional
System watt*	VLL 3L series: <30W VLL 5L series: <55W VLL 7L series: <65W
Lumen output	VLL 3L series:3100Lm VLL 5L series:6400Lm VLL 7L series:7400Lm
Material	GRP and PC
Weight	VLL 3L series Normal and EM: 4.3Kg / 5.8Kg VLL 5L /7L series Normal and EM: 7.5Kg / 9.8Kg
Terminals	Max 6mm ²
Entry Size	M20 as standard, M25 is available.
Out line dimension	VLL 3L series: 732x178x125 VLL 5L series: 732x178x125 VLL 7L series: 732x178x125
Backup duration & Lumen percentage	Standard version EM1=1.5h,25% output. EM2=3h, 25% output is available.
IP(IEC60598)	IP66

EATON Cooper Crouse-Hinds 倍源电气 全国总代理 yh.zhang@ksbyel.com

*Isolation switch is available as optional

*Tolerance+/-5%

VLL LED Zone 1 GRP linear fixtures

Ordering Information

Product Type	Colour Temp ¹⁾	Terminals	Throughwiring ²⁾		Entry Threaded	Ex e Threaded Plug ³⁾	Part No. ⁴⁾
			Single-ended	Twin-ended			
VLL 3L							
VLL-3L-57-1/6-120-N	5700K	1x6	●	-	2xM20	1	CCL2004126
VLL-3L-57-2/6-220-N		2x6	-	●	4xM20	2	CCL2004130
VLL 3L Emergency							
VLL-3L-57-EM1-1/6-120-N	5700K	1x6	●	-	2xM20	1	CCL2004134
VLL-3L-57-EM1-2/6-220-N		2x6	-	●	4xM20	2	CCL2004138
VLL 5L							
VLL-5L-57-1/6-120-N	5700K	1x6	●	-	2xM20	1	CCL2004174
VLL-5L-57-2/6-220-N		2x6	-	●	4xM20	2	CCL2004178
VLL 5L Emergency							
VLL-5L-57-EM1-1/6-120-N	5700K	1x6	●	-	2xM20	1	CCL2004182
VLL-5L-57-EM1-2/6-220-N		2x6	-	●	4xM20	2	CCL2004186
VLL 7L							
VLL-7L-57-1/6-120-N	5700K	1x6	●	-	2xM20	1	CCL2004222
VLL-7L-57-2/6-220-N		2x6	-	●	4xM20	2	CCL2004226
VLL 7L Emergency							
VLL-7L-57-EM1-1/6-120-N	5700K	1x6	●	-	2xM20	1	CCL2004230
VLL-7L-57-EM1-2/6-220-N		2x6	-	●	4xM20	2	CCL2004234

Product Type	Colour Temp ¹⁾	Terminals	Throughwiring ²⁾		Entry Threaded	Ex e Threaded Plug ³⁾	Part No. ⁴⁾
			Single-ended	Twin-ended			
VLL 3L Pole Mounting							
VLL-3L-57-1/6-120-N-P	5700K	1x6	●	-	2xM20	1	CCL2004252
VLL-3L-57-EM1-1/6-120-N-P		1x6	●	-	2xM20	1	CCL2004254
VLL 5L Pole Mounting							
VLL-5L-57-1/6-120-N-P	5700K	1x6	●	-	2xM20	1	CCL2004264
VLL-5L-57-EM1-1/6-120-N-P		1x6	●	-	2xM20	1	CCL2004266
VLL 7L Pole Mounting							
VLL-7L-57-1/6-120-N-P	5700K	1x6	●	-	2xM20	1	CCL2004276
VLL-7L-57-EM1-1/6-120-N-P		1x6	●	-	2xM20	1	CCL2004278

¹⁾ Tolerance +/- 10%

²⁾ Through wiring 6 x 2.5 mm²

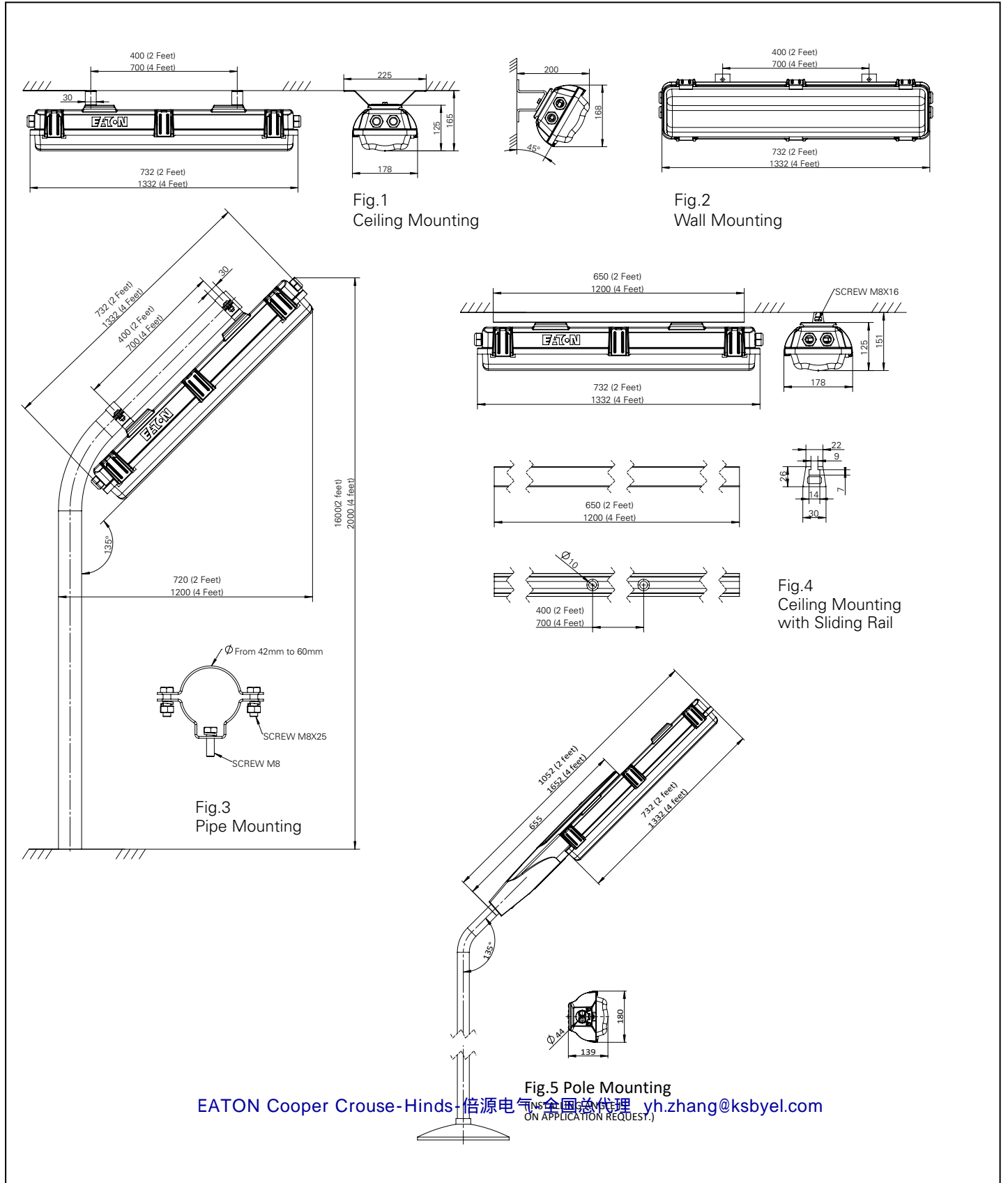
³⁾ Standard version without cable gland. if need, please order separately

⁴⁾ Contact your local sales representative for special requirements.

EATON Cooper Crouse-Hinds-倍源电气-全国总代理 yh.zhang@ksbyel.com

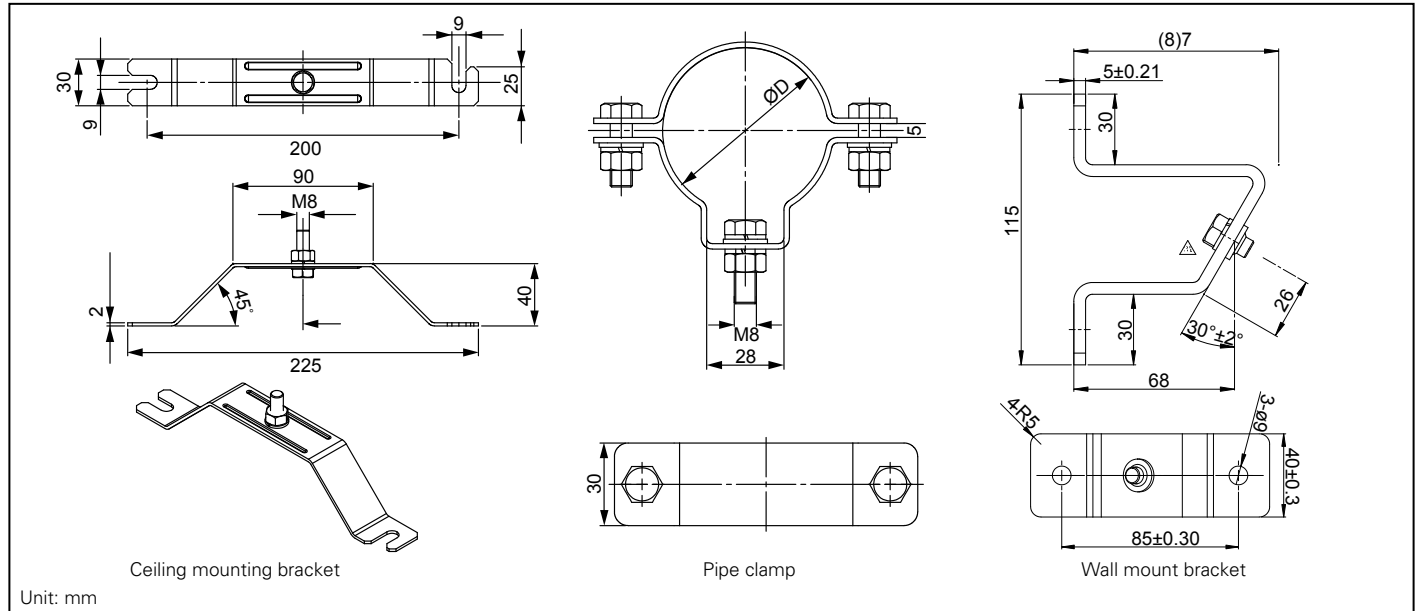
VLL LED Zone 1 GRP linear fixtures

Dimensions (mm)



VLL LED Zone 1 GRP linear fixtures

Mounting accessories (To be ordered separately)



Pipe mounting

Part No	Description	Quantity per luminaire
CHR5218	Pipe clamp assy D42 316S/S	2
CHR5221	Pipe clamp assy D51 316S/S	2

Wall mounting

Part No	Description	Quantity per luminaire
CHR5248	Wall suspension 316S/S	2

Ceiling mounting

Part No	Description	Quantity per luminaire
CHR5245	Ceiling mounting BKT 316S/S	2
CHLMT2372-01	Mounting sliding rail for 2 feet	1
CHLMT2372-02	Mounting sliding rail for 4 feet	1

Metallic Cable Glands (Order Separately)

ADE-1F2

Catalog #	Metric Thread Size	Cable Types	Cable sealing range - Min	Cable sealing range - Max
ADE1M201NPN	M20	Non-armoured,	4.5	8.5
ADE1M202NPN	M20	Marine shipboard, Type P, Tray cable	7.0	12.0
ADE1M203NPN	M20	(armoured)	10.0	16.0



ADE-4F

Catalog #	Metric Thread Size	Cable Types	Cable sealing range inner sheath		Cable sealing range outer sheath		Armor	
			Min.	Max.	Min.	Max.	Min.	Max.
ADE4M201NPN	M20	Non-armoured	4.5	8.5				
ADE4M202NPN	M20	Braided marine shipboard, Type P; Leadsheathed cable (with addition of earthing washer)	7.0	12.0	10.0	16.0	0.2	1.3
ADE4M203NPN	M20	(armoured)	10.0	15.5	13.5	21.0	0.2	1.3



ADE-1F2 and ADE-4F catalog numbers are for nickel-plated brass; For other material options, please contact our sales representative.